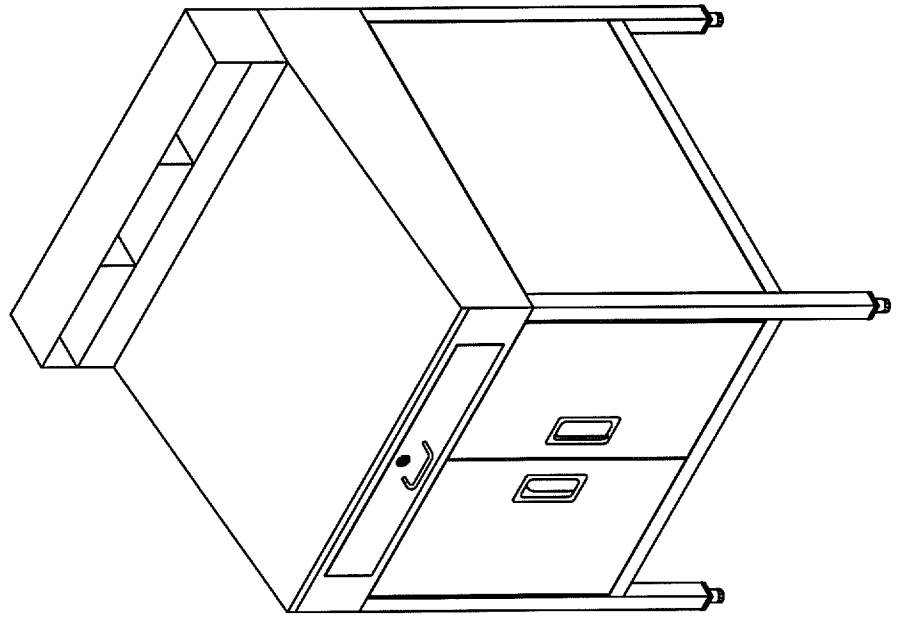
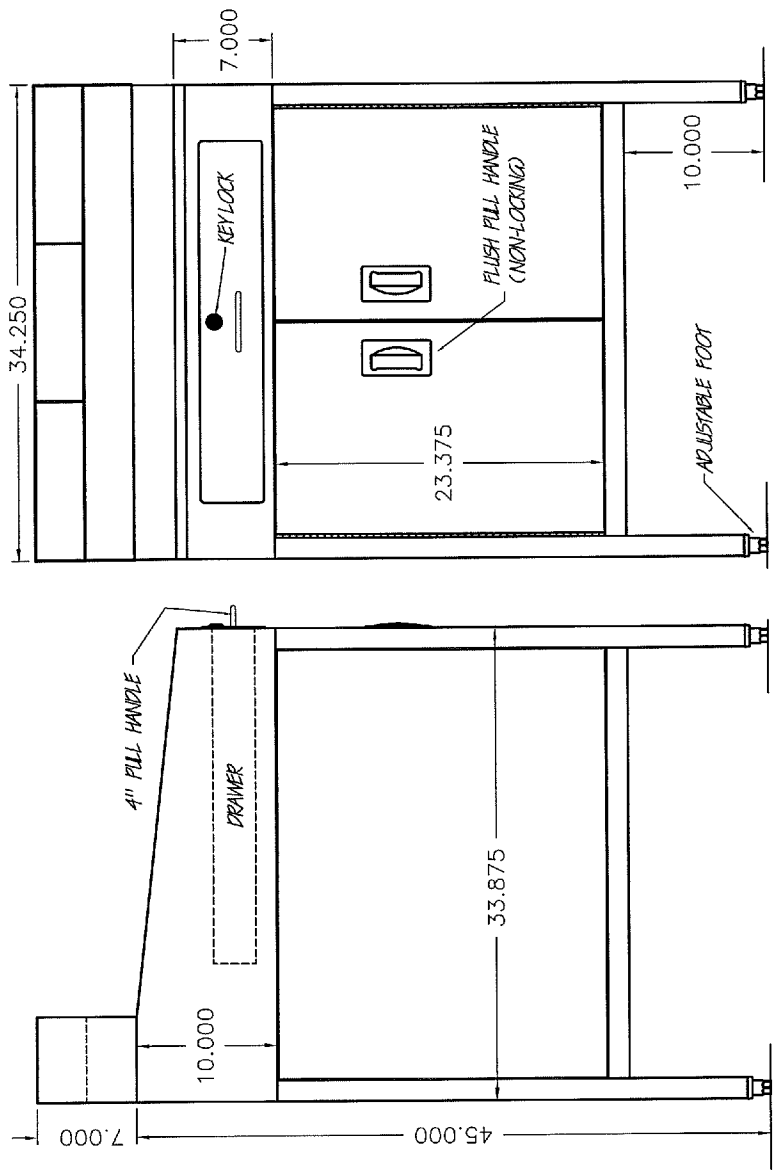


MODEL 001181
STAND-UP WORK DESK



• MATERIAL IS T304 STAINLESS STEEL.
• POLISHED NO. 4 FINISH.
• ALL WELDED CONSTRUCTION.
• SHIPPED SET UP.

PROJECT:	BOSIO METALS WEBSITE
LOCATION:	
CLIENT:	
DRAWING TITLE:	STAND-UP WORK DESK, CUSTOM SS MODEL 001181

BOSIO
METAL SPECIALTIES, INC.
408 Industrial Drive
North Wales, PA 19384
Telephone: (215) 898-1100
Fax: (215) 893-9437
www.bosio.com

ORIGINAL DATE:	
REVISION DATE:	
DESIGNED BY:	PJP
REVISION:	
SCALE:	Not Scale
DRAWING NUMBER:	001181