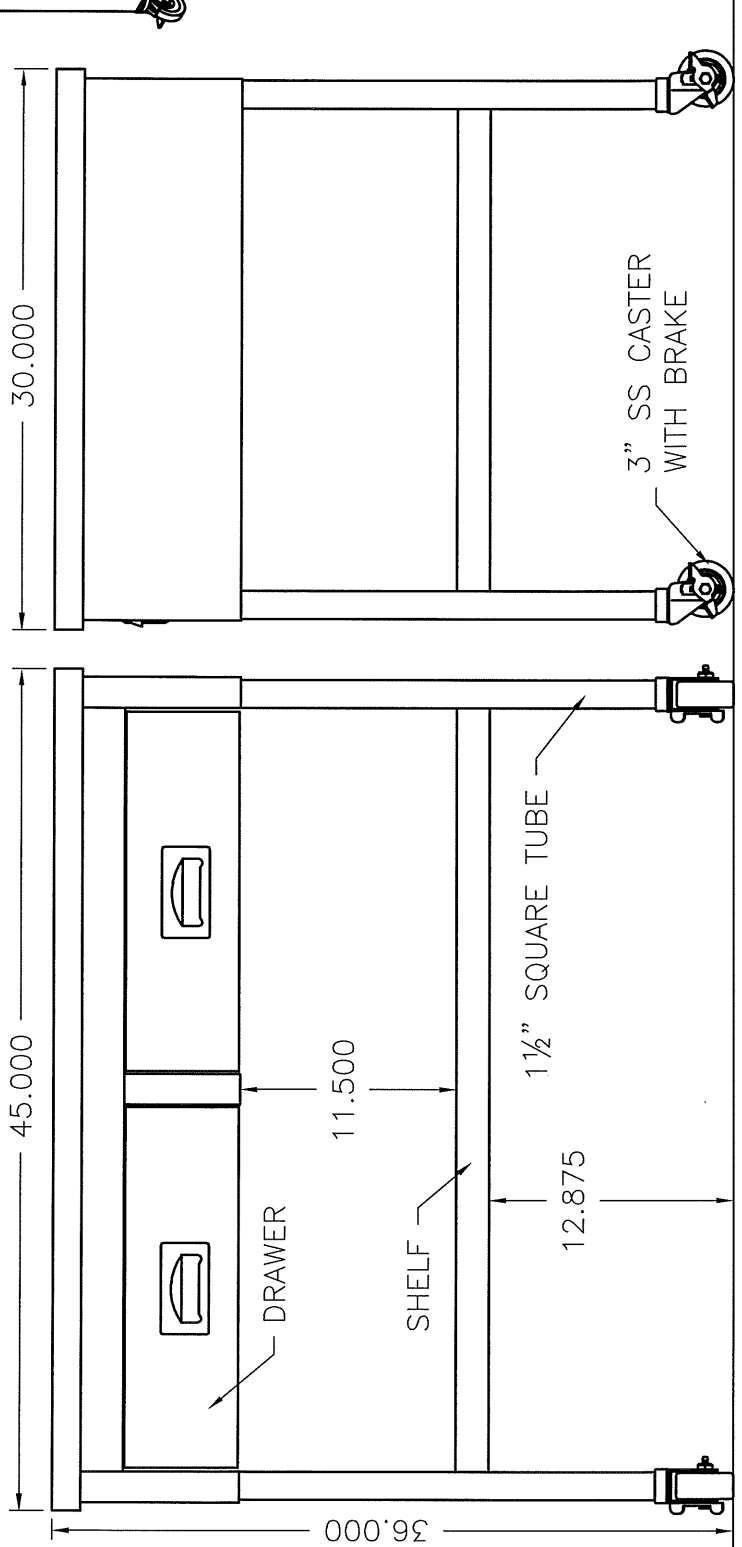
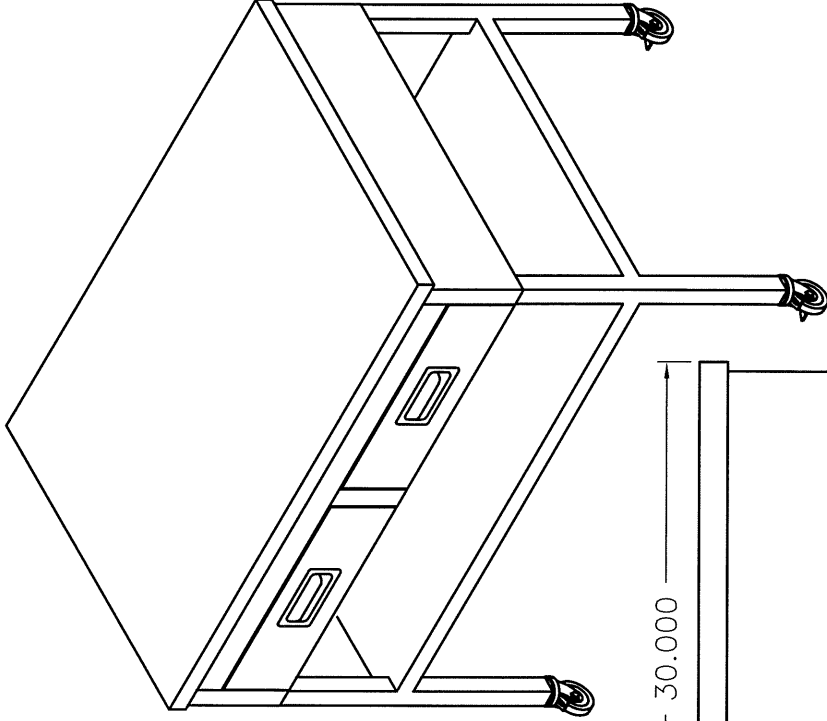


NOTES:

- MAT'L 304 S.S.
- MAT'L 316L S.S.
- GLASS BEAD FINISH
- No. 4 FINISH
- ELECTROPOLISH

BOSIO MODEL 005845



Project: _____
Location: _____
Client: _____

DRAWING TITLE: MOBILE SS WORK STATION WITH DRAWERS,
BOSIO MODEL 005845

BOSIO
METAL SPECIALTIES, INC.
409 Industrial Drive
North Wales, PA 18104
Telephone: (215) 894-1100
Fax: (215) 894-0437
www.bosio.com

ORIGINAL DATE	REVISION DATE
	3/25/2010
DESIGNED BY	REVISION:
PAJ	
Do Not Scale	
DWG. JOB NUMBER	
DRAWING NUMBER	
	005845